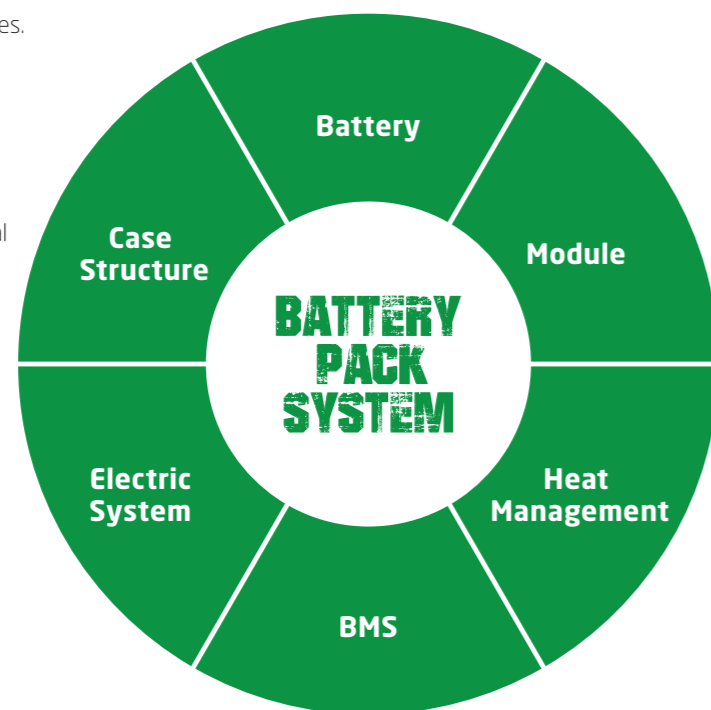


# INNOVATIVE SOLUTIONS NEW POWER NOW

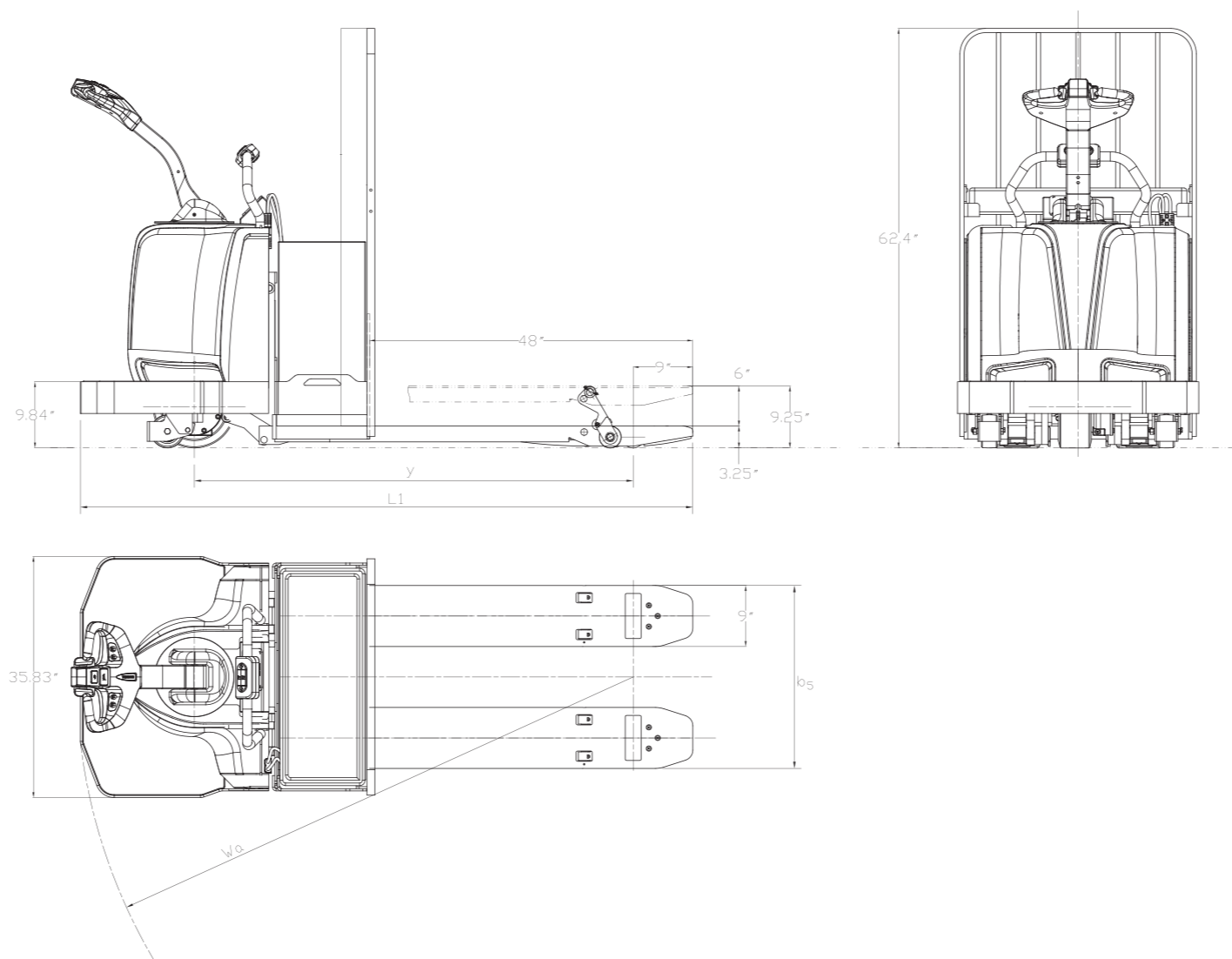
Lithium-ion technology (Lithium Iron Phosphate), was developed jointly by HANGCHA and CATL for use in material handling equipment applications. These innovative and reliable battery cells and modules are manufactured to the highest standard by CATL exclusively for HANGCHA's forklift line.

- / **Battery Technology:** We use square lithium iron phosphate batteries. These are the same type of batteries used in new electric vehicles.
- / **Design:** The module uses a sturdy and lightweight aluminum alloy frame. It is also designed to provide excellent heat dissipation.
- / **Safe and Effective:** Charging efficiency as high as 98% and the thermal runaway temperature is at 600 °C and above.
- / **Adapted to Low Temperatures:** Comes standard with an electrical heating feature, ensuring normal operation in low temperatures.
- / **Efficient:** Can use opportunity charging to allow for continuous use in multi-shift operations.
- / **Long-Lasting:** 4000 charging cycles with a capacity retention greater than 80%.
- / **Maintenance-Free:** Lithium-ion batteries do not require manual maintenance such as watering.
- / **Green and clean:** The batteries are pollution-free, release zero emissions, and are recyclable.



**Rapid charging and opportunity charging ensure continuous availability of material handling equipment**

This technology allows for fast full charging or boost charging. They are maintenance free and do not require a battery change when used in multi-shift operations.



**HANGCHA**

HC FORKLIFT AMERICA CORPORATION

**Company address:**  
10405-A Granite Street  
Charlotte, NC 28273

Toll Free: (888) 652-8395  
Phone: (980) 888-8335  
Fax: (980) 888-8336

america@hcforklift.com  
www.hcforkliftamerica.com



2021 VERSION / COPYRIGHT 2021

HANGCHA GROUP CO., LTD. reserves the right to make any changes without notice concerning colors, equipment, or specifications detailed in this brochure, or to discontinue individual models. The colors of trucks, delivered may differ slightly from those in brochures.



## A Series Electric Lithium-ion End Control Rider Pallet Truck

with capacities of 6,000-8,000lbs

**Making Material Handling Easier**  
SINCE 1956



# A Series Electric Lithium-ion End Control Rider Pallet Truck

The A Series Electric Lithium-ion End Control Rider Pallet Truck is a logistics handling device developed by Hangcha Group for the high-intensity operating conditions of the North American market. With the AC drive technology, it offers high performance and low maintenance costs. It is also safe, reliable, and can be easily operated. This end control rider pallet truck is an ideal tool for loading, unloading, and handling palletized goods in warehouses and workshops.



Simple  
Solid  
Smart

## Appearance

- / The A Series End-Control Rider Pallet Truck has a smooth vivid profile and was designed to be ergonomic. The exterior of this pallet truck is powder coated in a durable, easy to see, green finish that designates it as lithium-ion powered.
- / This pallet truck uses stamped steel plates and injection molded parts. This creates a robust and durable product that is able to successfully take on the wear and tear of a warehouse environment.

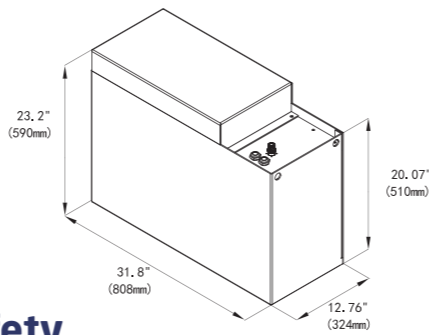
## Comfort

- / Low-noise reduction gear box and high-elasticity PU traction wheel result in low noise.
- / Additional wheels supported with PU blocks and springs realize more stable traveling.
- / Inner concave design at bottom of machine hood offers larger room for operator's feet.

## CATL Lithium Iron Phosphate Battery Packs

- / Integrated Battery Management System (BMS) continually monitors energy management and ensures reliable operation.
- / HANGCHA provides these Lithium Iron Phosphate (LiFePO4) battery packs with a 5 year or 10,000 hour warranty.
- / See warranty certificate for specific warranty information on the Lithium Iron Phosphate battery packs.

Standard Battery Capacity	
Battery Capacity (V/Ah) (kW-h)	24V/404Ah 9.70kW-h



## Safety

- / The end control pallet truck features three types of braking functions, release braking, reverse braking, and emergency braking, for safe operation.
- / The anti-sliding function on a grade ensures a safe operational workspace.
- / The emergency reversing button at top of the tiller protects the operator from being injured in case of an emergency during backward operation of the truck.

## High Performance

- / The brushless AC travel motor features excellent acceleration, outstanding climbing ability, low heat emission, and is maintenance-free.
- / The CANBUS structure makes communication between all of the machine's functions faster and more reliable.
- / The operating handle's picking button is apart of the pallet truck's standard configuration. This allows the pallet truck to be operated from the side to increase efficiency of picking operation.
- / The pallet truck's regenerative braking feature prevents it from sliding on a grade.

## Reliability

- / The pallet truck frame is made of high-strength steel plates. It is designed to have a long service life in various working conditions.
- / The box-type stamped forks are stronger, more rigid, and impact resistance.
- / Water-proof plug connectors offer protection for all of the cables. This significantly increases reliability of the end control rider's electrical system.
- / The limit switch of the lifting motor eliminates overflow of the hydraulic power unit. This is more energy efficient, and can protect the power unit's motor.

## Standard

- / Highly Efficient AC Driving Motor
- / High Performance PU Driving Wheels
- / CURTIS AC Controller
- / High Performance Hydraulic Power Unit
- / Anti-Skid Pedal Pad for Standing Operation
- / CANBUS Multi-Functional Operating Handle
- / Multi-Functional Interactive Instrument Display
- / PU Buffering Elastic Auxiliary Wheels
- / Electromagnetic Brake
- / Load Backrest

## Options

- / 28" Distance between Fork-Arms
- / Optional Fork Lengths: 54", 60", 84", 96", 132", or 144"
- / Storage Box
- / Electronic Power Steering
- / Knee Pad

## Features



The roomy, low step height, platform is designed to reduce operator fatigue. The optional cushioned knee pads allow the operator to adjust there stance throughout the shift. This creates a more comfortable operating experience.



The CURTIS AC Control System



The load backrest is secured with high-strength bolts to protect the operator.



The FREI Multi-Function Tiller

## A Series Electric Lithium-ion End Control Rider Pallet Truck

		HANGCHA GROUP CO.,LTD.			
Distinguishing Marks	1.1	Manufacturer		ECR27Li	ECR36Li
		HCFA Model		CBD27-AC1S-NAI	CBD36-AC1S-NAI
	1.2	Manufacturer's Type Designation		Electric	Electric
	1.3	Drive: electric (battery or mains), diesel, petrol, fuel gas		Rider	Rider
	1.4	Operator Type		6000	8000
	1.5	Rated Capacity/Rated Load	Q(lb)	24	24
	1.6	Load Centre Distance	c(in)	39.1	39.1
	1.8	Load Distance, centre of drive axle to fork	x(in)	65.2	65.2
	1.9	Wheelbase	y(in)		
Weight	2.1	Service Weight	lb	1695	1695
Tires & Chassis	3.1	Tires: solid rubber, superelastic, pneumatic, polyurethane		Polyurethane	Polyurethane
	3.2	Tire size, front	in	12.2×4.3	12.2×4.3
	3.3	Tire size, rear	in	2-3.25×6.5	2-3.25×6.5
	3.4	Additional wheel (dimensions)	in	2-5×2.4	2-5×2.4
Dimensions	4.4	Lift	h <sub>3</sub> (in)	6	6
	4.15	Fork Height, lowered	h <sub>12</sub> (in)	3.25	3.25
	4.19	Overall Length	l <sub>1</sub> (in)	91	91
	4.20	Head Length	l <sub>2</sub> (in)	43	43
	4.21	Overall Width	b <sub>1</sub> (in)	36	36
	4.25	Distance between Fork-Arms	b <sub>2</sub> (in)	27.1	27.1
	4.35	Turning Radius	W <sub>a</sub> (in)	82.7	82.7
Performance Data	5.1	Travel Speed, laden/unladen	mph	5.6/8.7	5.6/8.7
	5.8	Max Gradeability, laden/unladen	%	8/15	8/15
	5.10	Service Brake		Electromagnetic	Electromagnetic
Electric Motor	6.4	Lithium Iron Phosphate Battery Pack	V/Ah	24V/404Ah	24V/404Ah
	9.1	Controller Manufacturer		Curtis	Curtis